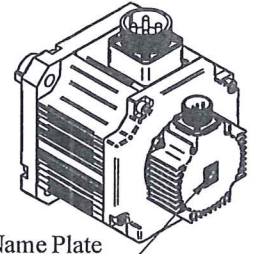


Model: JSMA-PIH30A3K

No.	Item	Symbol	Unit	Specification	No.	Item	Symbol	Unit	Specification
1	Drive	-	-	3 ϕ 220 VAC	13	Rotor Inertia	Jm	kg-cm ²	39.95
2	Cooling Method	-	-	Totally Enclosed	14	Rated Power Rate	Q-R	Kw/s	91.32
3	Exciting Method	-	-	Permanent Magnet	15	Resistance	Ra	Ω	0.275 \pm 10%/2 ϕ
4	Resolution	-	-	23BIT-INC	16	Inductance	L	mH	6.8 \pm 10% / 2 ϕ
5	Rated Output	P-R	W	3000	17	Mech. Time Constant	Tm	ms	1.05 \pm 10%
6	Rated Torque	T-R	N-m	19.1	18	Elect. Time Constant	Te	ms	24.69 \pm 10%
7	Max. Torque	T-max	N-m	47.75	19	Insulation Class	-	-	Class F
8	Rated Speed	N-R	rpm	1500	20	Operation Temp.	T	$^{\circ}$ C	0~40
9	Rated Current	I-R	A	16	21	Operation Humd.	RH	%	<80
10	Max. Current	I-max	A	40	22	Storage Temp.	T	$^{\circ}$ C	-20~60 $^{\circ}$
11	Torque Constant	Kt	N-m/A	1.19 \pm 10%	23	Storage Humd.	RH	%	<80
12	Voltage Constant	Ke	V/krpm	79.3 \pm 10%	24	Weight	W	kgw	16.9

PIN	Signal
B	+5V
I	0V
A	
C	
H	SD+
D	SD-
G	
E	
F	FG

Pin	Signal
A	U
B	V
C	W
D	FG



Name Plate for Notice

Encoder Wiring

Motor Wiring



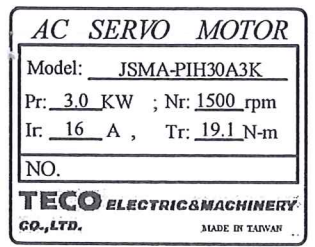
Military connector MS3102A32-17P

Military connector MS3102A20-18P

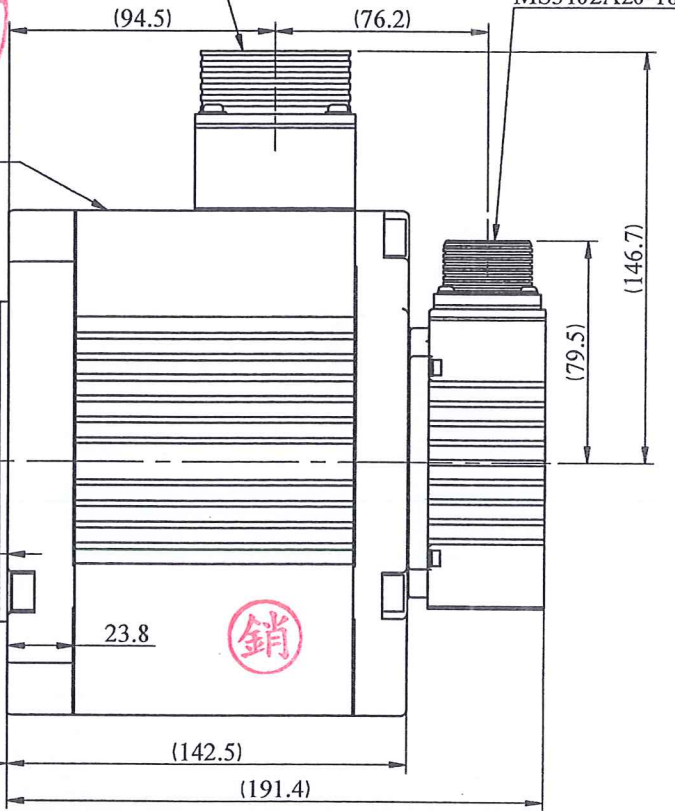
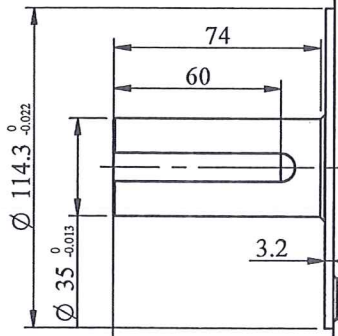
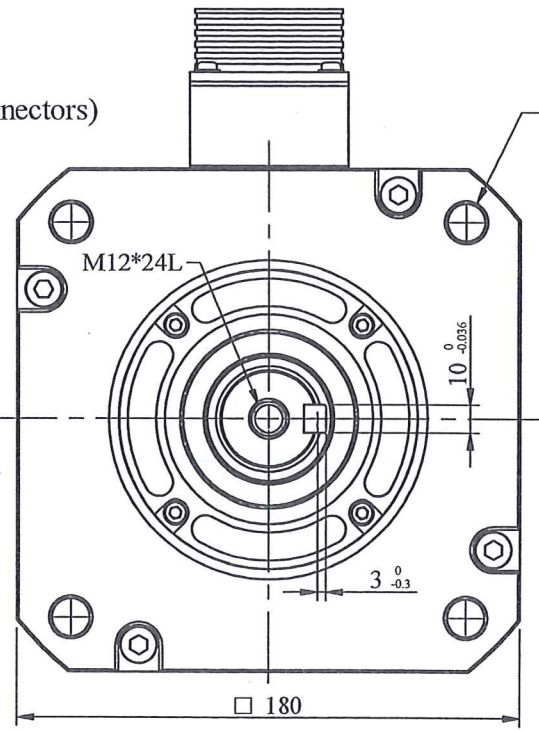
NOTE:
Motor to be IP67
(excluding the shaft opening & connectors)



Name Plate for Notice



Name Plate for Spec



STANDARD TOLERANCE		APVD	SCALE	UNIT	NAME	Servo Motor Outline Drawing	
X	±0.5	25	6/17/16	mm		JSMA-PIH30A3K	
.X	±0.2	Michelle	6-17-16				
.XX	±0.05	CHKD		3RD .A.P	TITLE		
ANGLE	±30'	DWN	Leon	06-17-16	TECO ELECTRO DEVICES CO., LTD.		
MATERIAL	REV	DESCRIPTION	SIGNATURE	DATE	SIGNATURE	DATE	Dept. Design
							DWG.NO. D01B18302H3NZAD01